

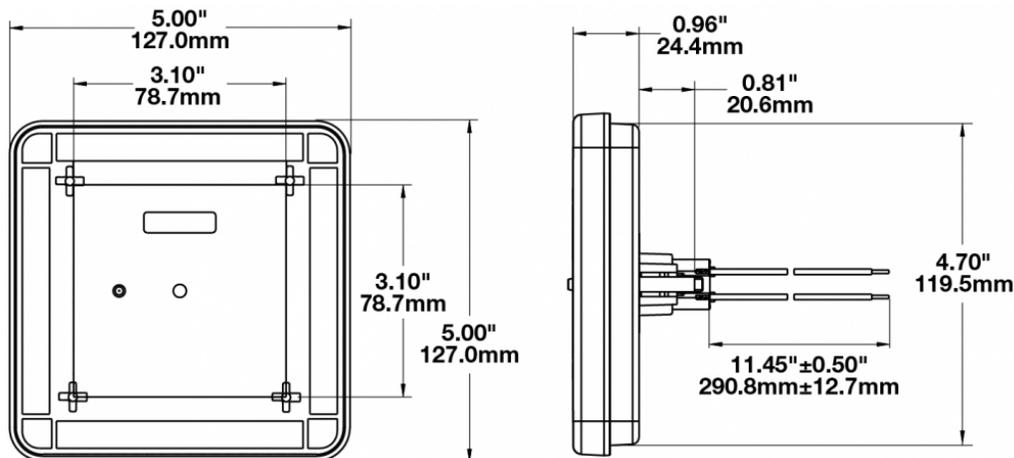
# LED Square Signal Lights and Tail Lights - Model 224

## PRODUCT INFORMATION

<b>Description</b>	12-24V SAE LED Stop & Tail Light
<b>Height</b>	127.00 mm / 5 in
<b>Width</b>	127.00 mm / 5 in
<b>Depth</b>	44.96 mm / 1.77 in
<b>Shape</b>	Square
<b>Outer Lens Material</b>	Acrylic
<b>Outer Lens Color</b>	Red
<b>Housing Material</b>	ABS
<b>Housing Color</b>	Black
<b>Mounting Hardware Description</b>	(x2) M6-1 x 25 Mounting Bolts
<b>Mounting Type</b>	Low Profile Mount
<b>Minimum Operating Temperature</b>	-40 °C / -40 °F
<b>Maximum Operating Temperature</b>	65 °C / 149 °F
<b>Mating Connector</b>	4-Pin Deutsch Plug (DT06-4S)
<b>Product Weight</b>	0.46 lbs / 0.21 kgs
<b>Shipping Weight</b>	0.46 lbs / 0.21 kgs



## PRODUCT DIMENSIONS



Print date: 2024-08-11

© 2024 J.W. Speaker Corporation • Germantown, WI U.S.A.  
www.jwspeaker.com • speaker@jwspeaker.com • 262.251.6660

# LED Square Signal Lights and Tail Lights - Model 224

## ELECTRICAL SPECIFICATIONS

<b>Input Voltage</b>	12-24V DC
<b>Black Wire</b>	Ground
<b>Red Wire</b>	Stop
<b>White Wire</b>	Tail
<b>Current Draw</b>	0.190A @ 12V DC (Stop) 0.030A @ 12V DC (Tail)

## REGULATORY STANDARDS COMPLIANCE



ASABE S279	Buy America Standards
Eco Friendly	FMVSS 108 s7.2 (Table VIII)
FMVSS 108 s7.3 (Table IX)	FMVSS 108 s8.1 (Table XVI)
IEC IP67	SAE J2040
SAE J585	SAE J586
SAE J594	

## PHOTOMETRIC SPECIFICATIONS

<b>Beam Pattern(s)</b>	Signalization - Stop Signalization - Tail
------------------------	--

## APPLICATIONS



Print date: 2024-08-11

© 2024 J.W. Speaker Corporation • Germantown, WI U.S.A.  
www.jwspeaker.com • speaker@jwspeaker.com • 262.251.6660

**J.W. SPEAKER**  
Engineered. Lighting. Solutions.

# LED Square Signal Lights and Tail Lights - Model 224

## PRODUCT WARNINGS

---

For California residents:

⚠ **WARNING:** Cancer and reproductive harm - [www.P65Warnings.ca.gov](http://www.P65Warnings.ca.gov).

⚠ **AVERTISSEMENT:** Cancer et effet nocif sur la reproduction - [www.P65Warnings.ca.gov](http://www.P65Warnings.ca.gov).

## RELATED PRODUCTS

---



**Part Number**  
**0342291**

12-24V ECE/SAE LED  
Turn Signal Light



**Part Number**  
**0342361**

12-24V ECE LED Rear  
Fog Light with Harness



**Part Number**  
**0442611**

12-24V ECE/SAE LED  
Backup Light with  
Harness